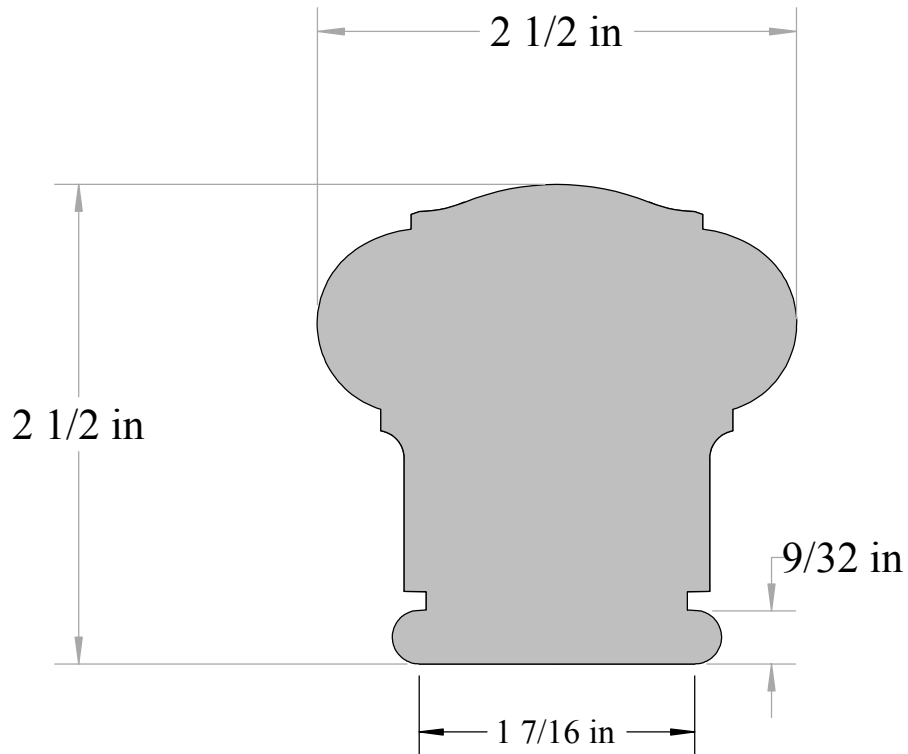
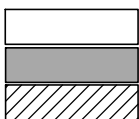


Anderson & McQuaid Co, Inc.



A&M # 6200
2-1/2" X 2-1/2"



All unshaded profiles available in poplar

All shaded profiles available in poplar, cherry, maple, sapele and red oak.

All hatched profiles available in sapele