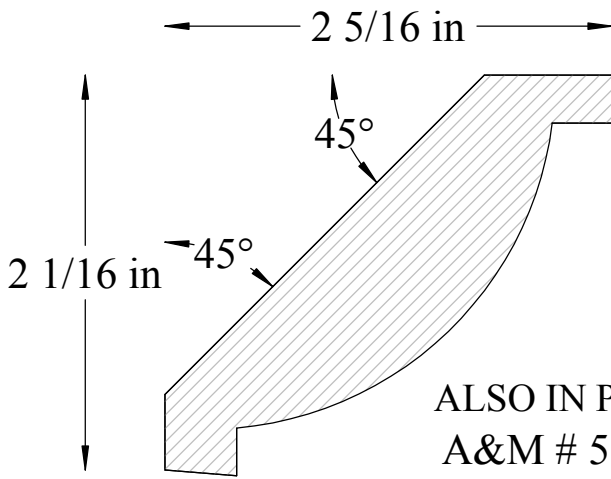
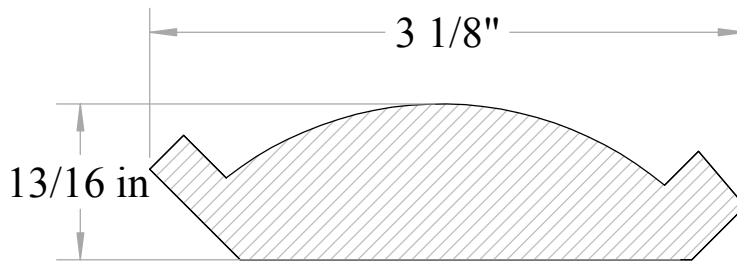


# Anderson & McQuaid Co, Inc.

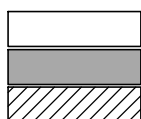


ALSO IN POPLAR  
A&M # 5783  
 $13/16$ " X  $3-1/8$ "

CROWN MOULDING MEASUREMENTS ARE  
BASED ON THE THICKEST POINT IN THE  
PROFILE x TIP TO TIP DIMENSION



A&M # 5783  
 $13/16$ " X  $3-1/8$ "



All unshaded profiles available in poplar

All shaded profiles available in poplar, cherry, maple, sapele and red oak.

All hatched profiles available in sapele