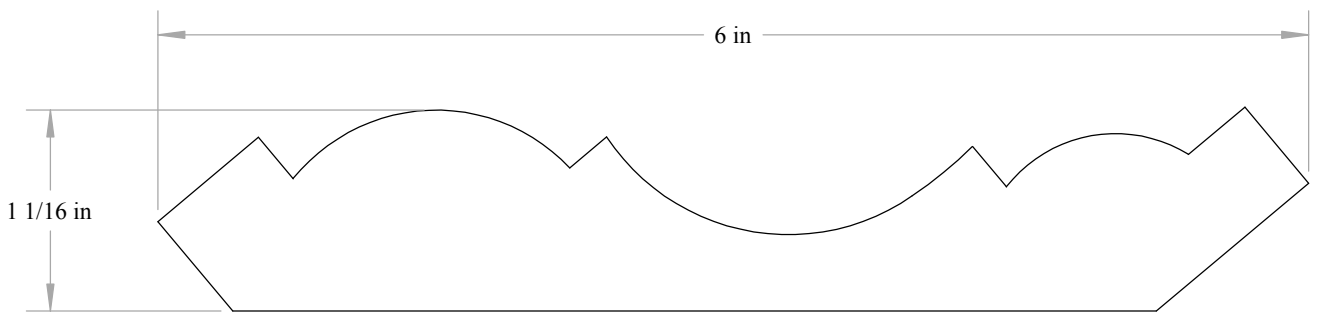
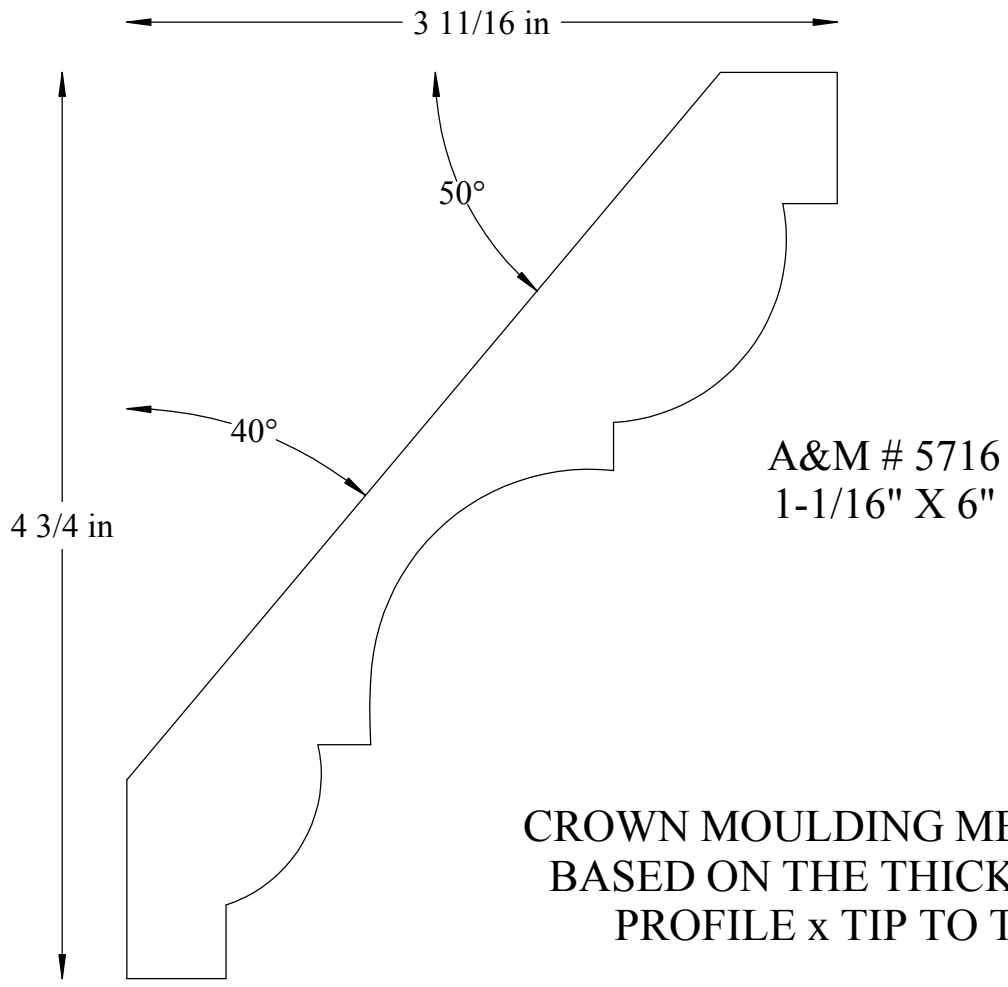
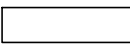




Anderson & McQuaid Co, Inc.



A&M # 5716
1-1/16" X 6"

-  All unshaded profiles available in poplar
-  All shaded profiles available in poplar, cherry, maple, sapele and red oak.
-  All hatched profiles available in sapele