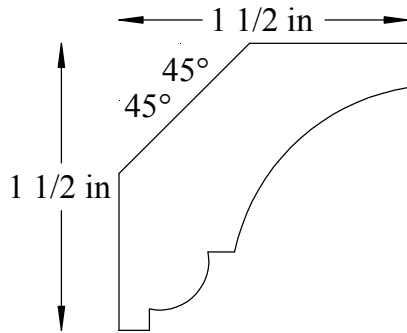
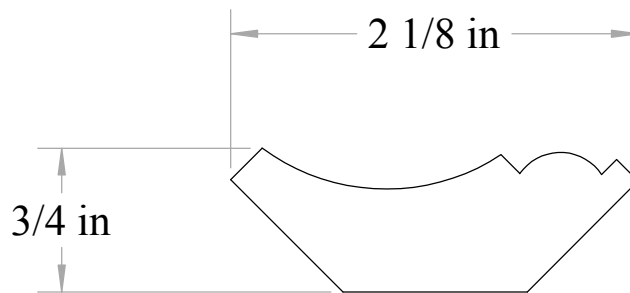


# Anderson & McQuaid Co, Inc.



A&M # 5120  
3/4" X 2-1/8"

CROWN MOULDING MEASUREMENTS ARE  
BASED ON THE THICKEST POINT IN THE  
PROFILE x TIP TO TIP DIMENSION



A&M # 5120  
3/4" X 2-1/8"



All unshaded profiles available in poplar

All shaded profiles available in poplar, cherry, maple, sapele and red oak.

All hatched profiles available in sapele