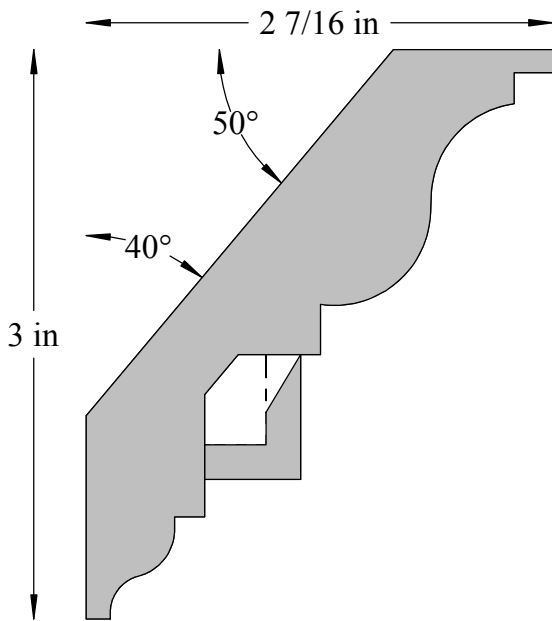


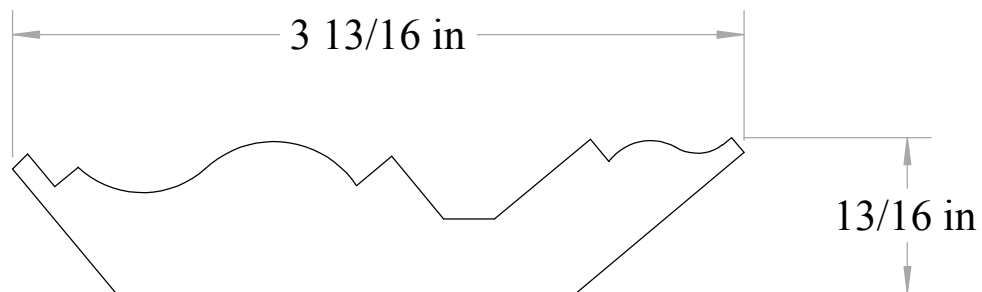
Anderson & McQuaid Co, Inc.



A&M # 5118
13/16" X 3-13/16"

DENTIL INSERT SEPERATE
DRAWING ON PAGE 47

CROWN MOULDING MEASUREMENTS ARE
BASED ON THE THICKEST POINT IN THE
PROFILE x TIP TO TIP DIMENSION



A&M # 5118
13/16" X 3-13/16"



All unshaded profiles available in poplar

All shaded profiles available in poplar, cherry, maple, sapele and red oak.

All hatched profiles available in sapele