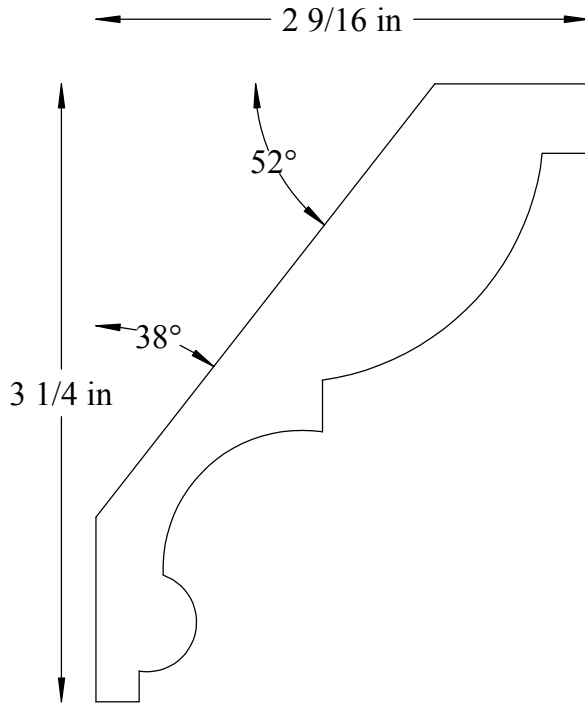
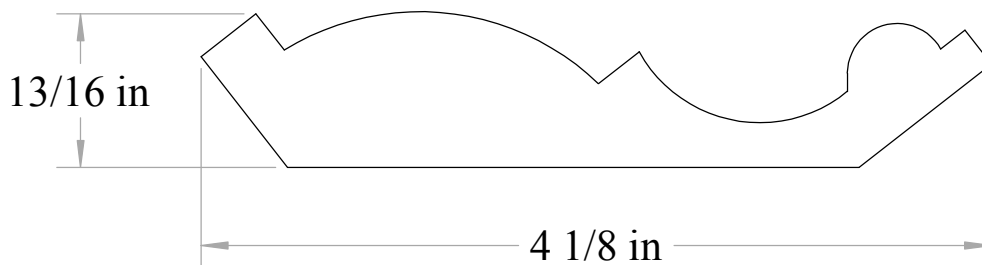


Anderson & McQuaid Co, Inc.



A&M # 5013
 $13/16$ " X $4-1/8$ "

CROWN MOULDING MEASUREMENTS ARE
BASED ON THE THICKEST POINT IN THE
PROFILE x TIP TO TIP DIMENSION



A&M # 5013
 $13/16$ " X $4-1/8$ "



All unshaded profiles available in poplar

All shaded profiles available in poplar, cherry, maple, sapele and red oak.

All hatched profiles available in sapele