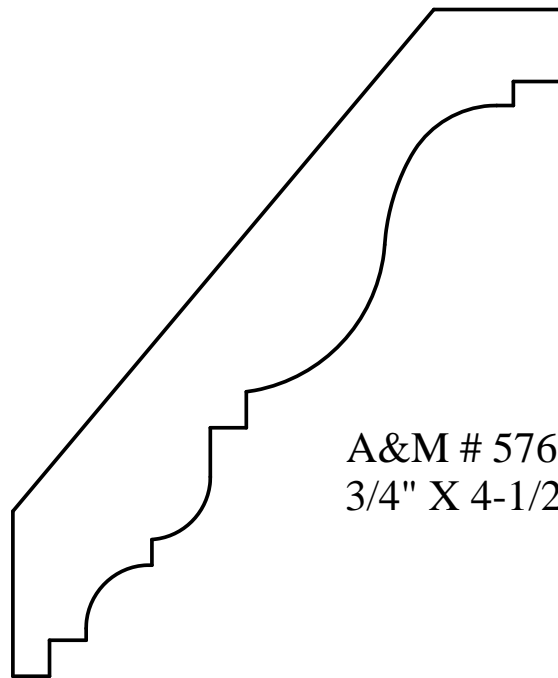


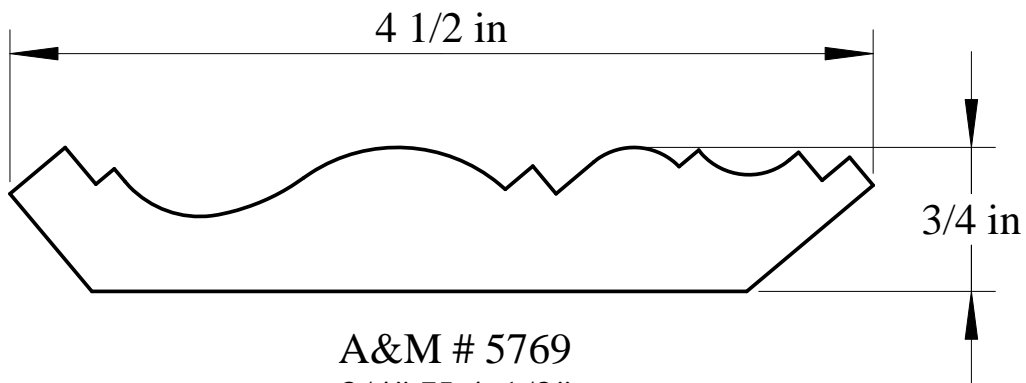
Anderson & McQuaid Co, Inc.  
Stock Crown Mouldings

**PLEASE NOTE**

CROWN MOULDING MEASUREMENTS ARE  
BASED ON THE THICKEST POINT IN THE  
PROFILE x TIP TO TIP DIMENSION



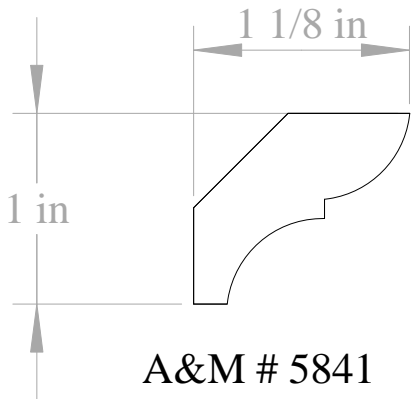
A&M # 5769  
3/4" X 4-1/2"



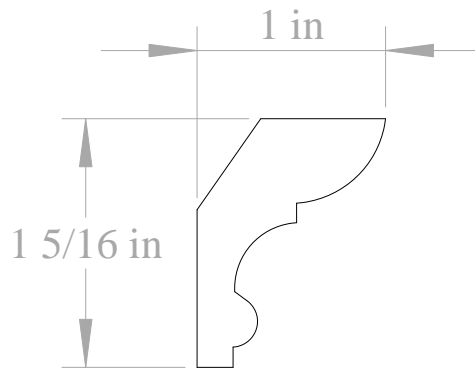
A&M # 5769  
3/4" X 4-1/2"

# Anderson & McQuaid Co, Inc.

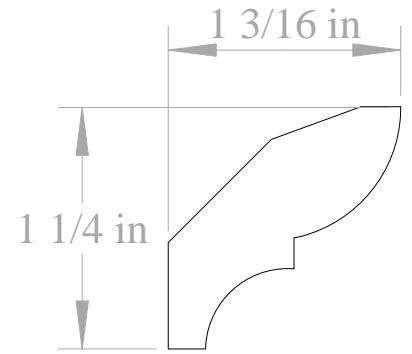
## Stock Crown Mouldings



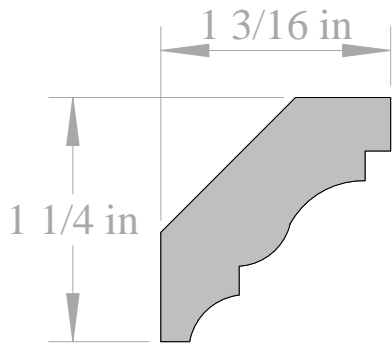
**A&M # 5841**  
9/16" X 1-1/2"



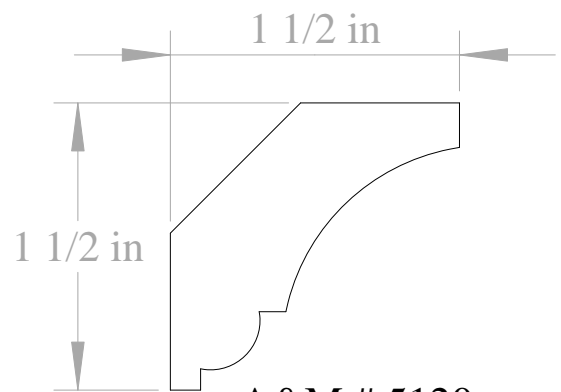
**A&M # 5703**  
5/8" X 1-5/8"



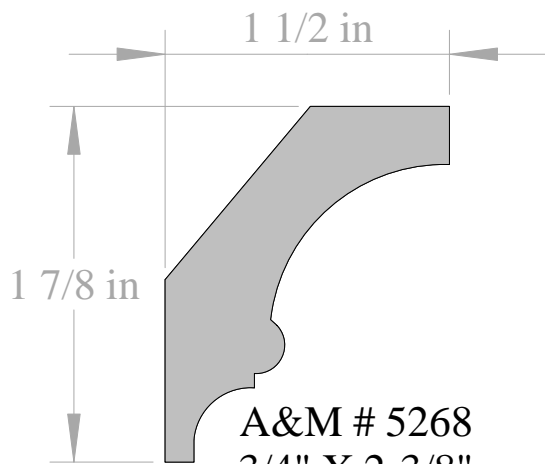
**A&M # 5369**  
9/16" X 1-3/4"  
ALSO IN MAHOGANY



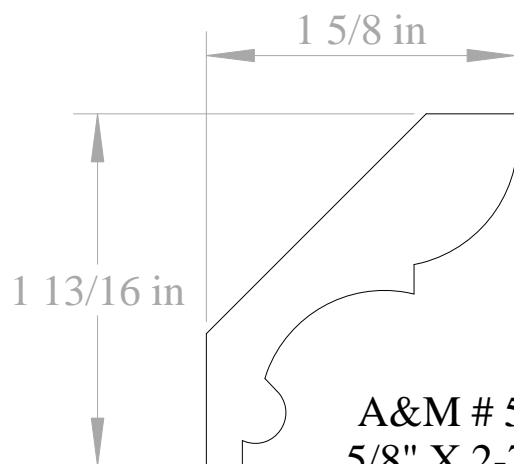
**A&M # 5267**  
9/16" X 1-3/4"



**A&M # 5120**  
3/4" X 2-1/8"



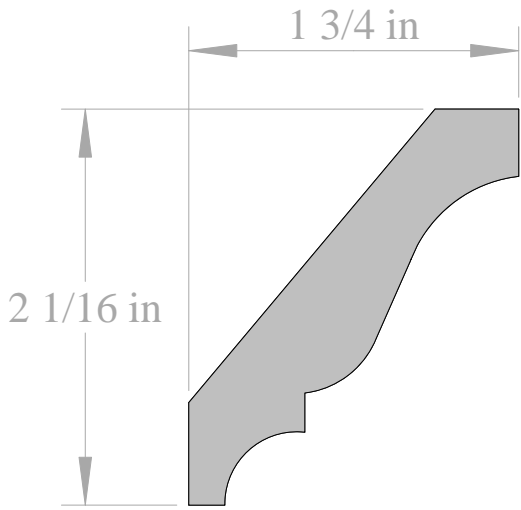
**A&M # 5268**  
3/4" X 2-3/8"



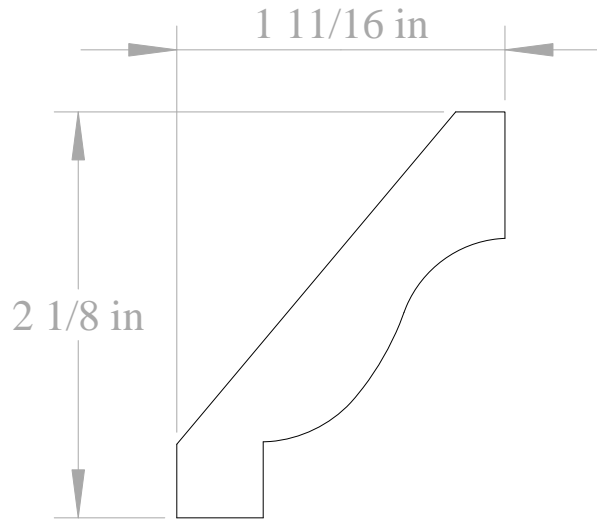
**A&M # 5702**  
5/8" X 2-7/16"

- All unshaded profiles available in poplar
- All shaded profiles available in poplar, cherry, maple, mahogany and red oak.

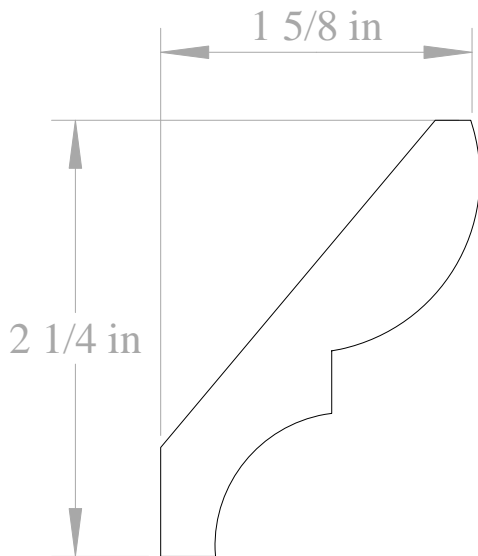
# Anderson & McQuaid Co, Inc. Stock Crown Mouldings



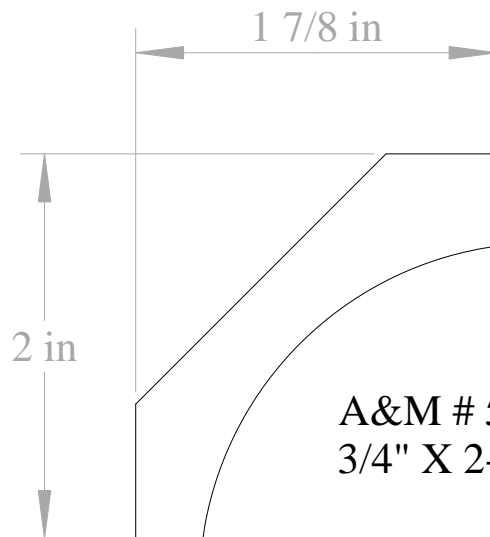
**A&M # 5265**  
**9/16" X 2-11/16**



**A&M# 5503**  
**9/16" x 2 3/4"**



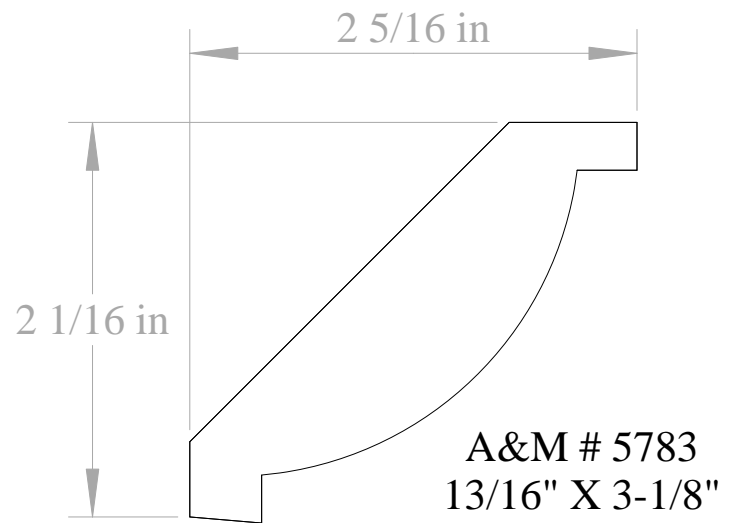
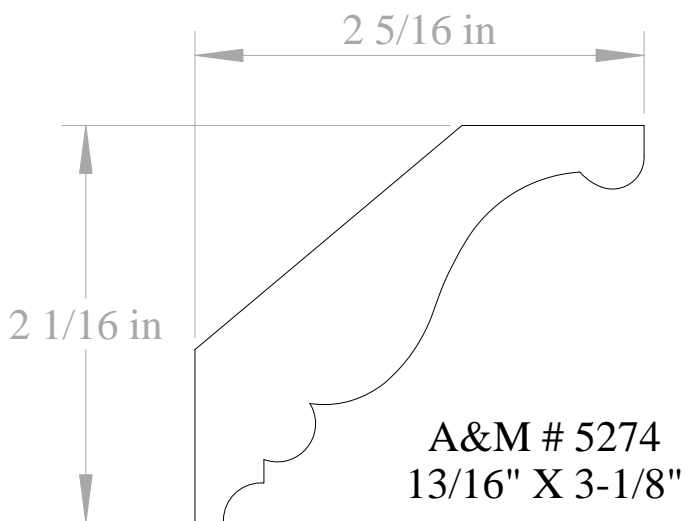
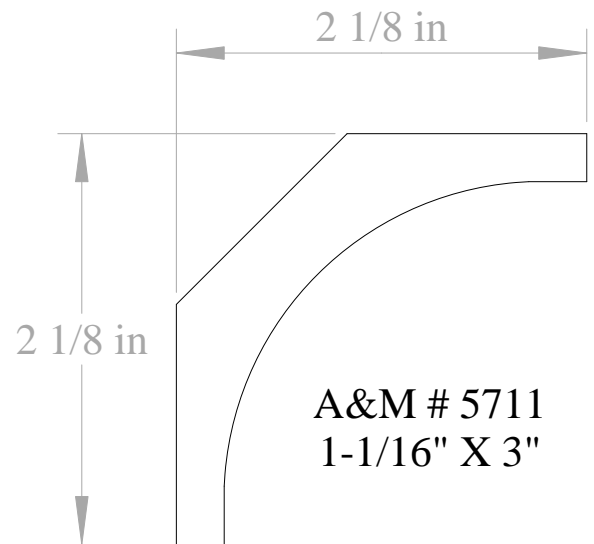
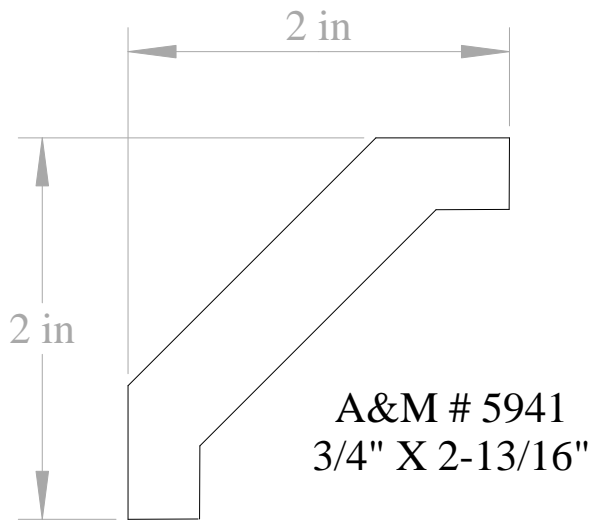
**A&M # 5447**  
**9/16" X 2-3/4"**



**A&M # 5280**  
**3/4" X 2-3/4"**

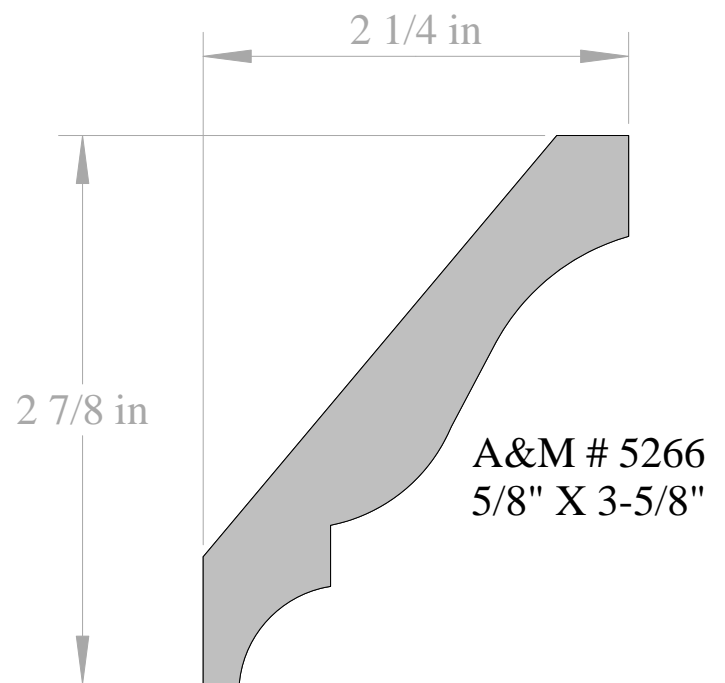
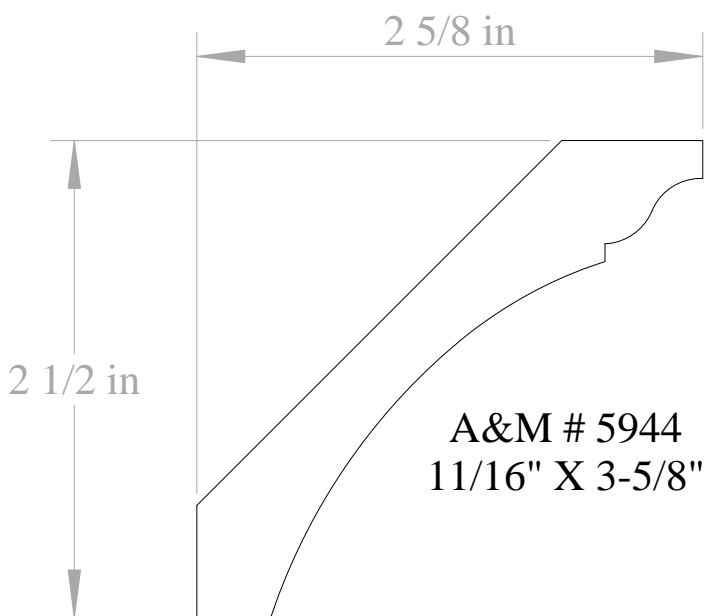
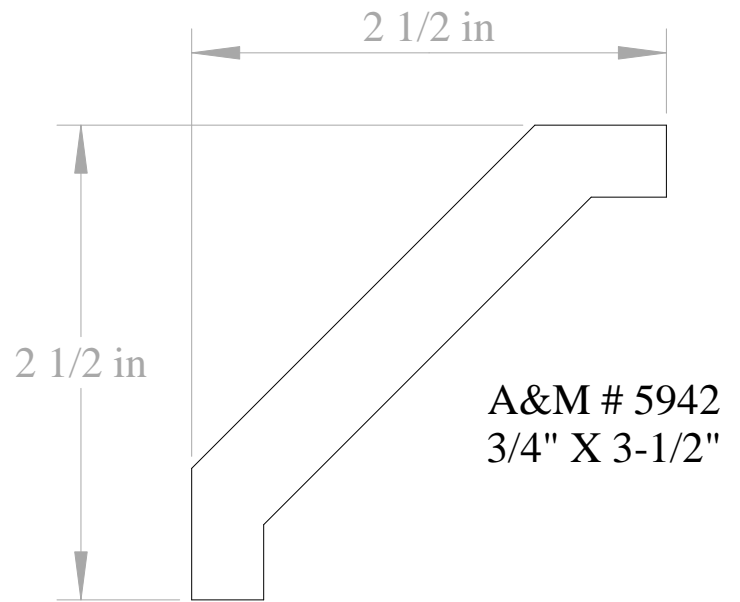
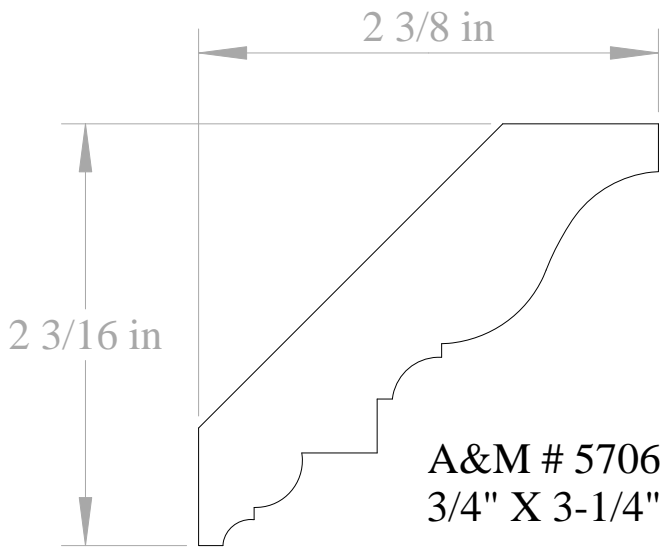
- All unshaded profiles available in poplar
- All shaded profiles available in poplar, cherry, maple, mahogany and red oak.

Anderson & McQuaid Co, Inc.  
Stock Crown Mouldings



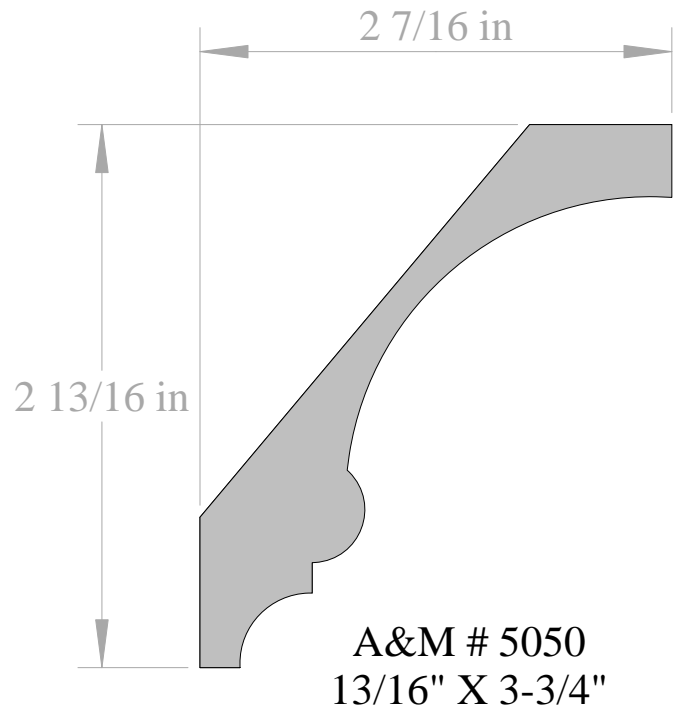
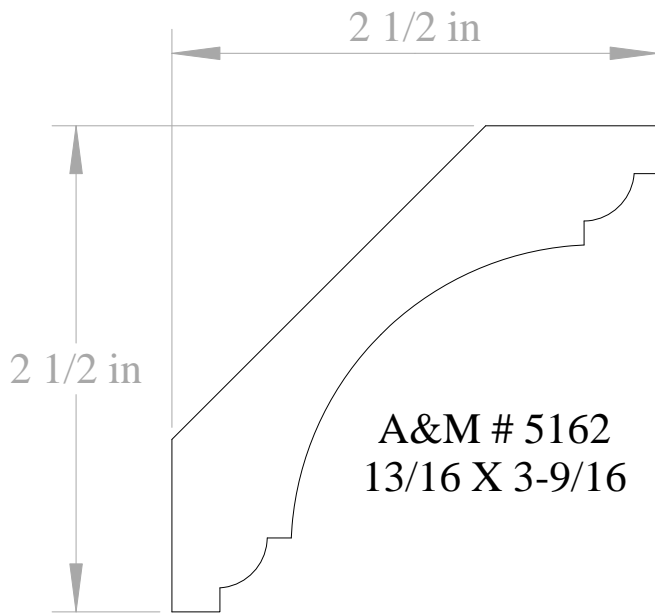
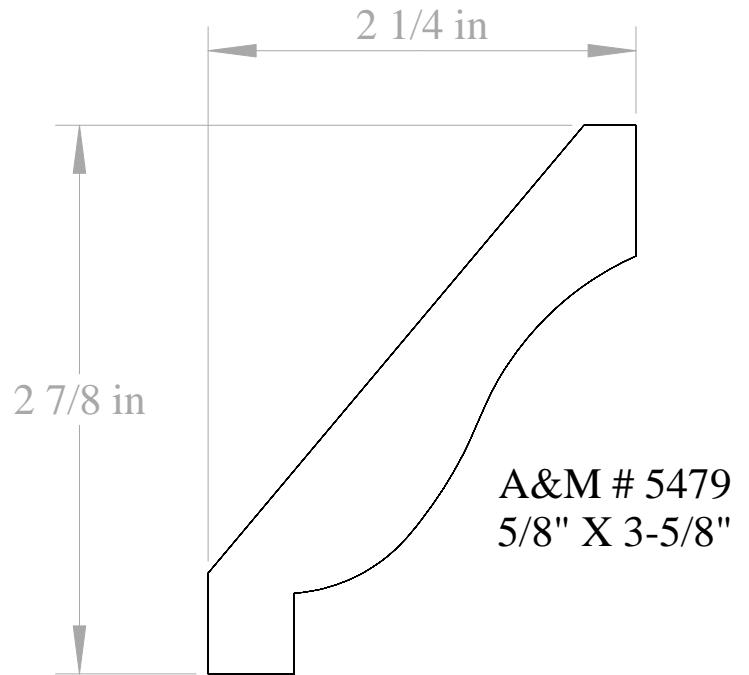
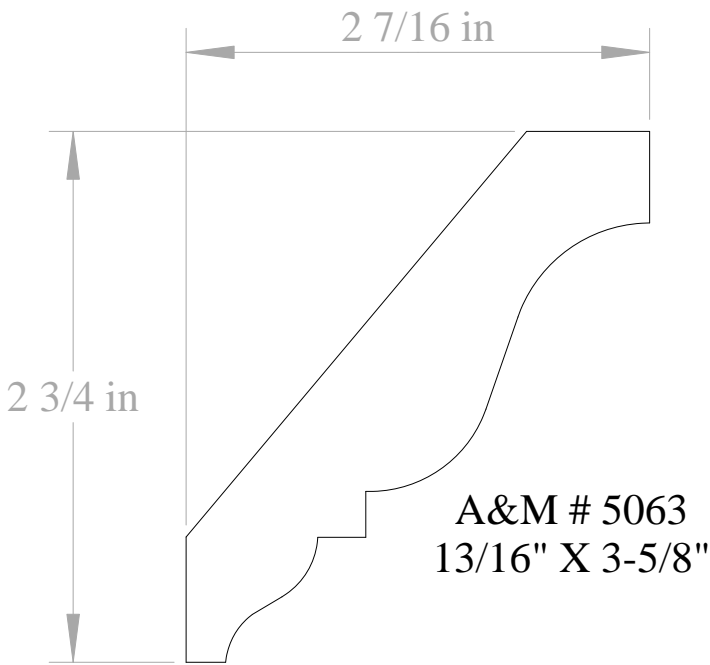
- All unshaded profiles available in poplar
- All shaded profiles available in poplar, cherry, maple, mahogany and red oak.

# Anderson & McQuaid Co, Inc. Stock Crown Mouldings



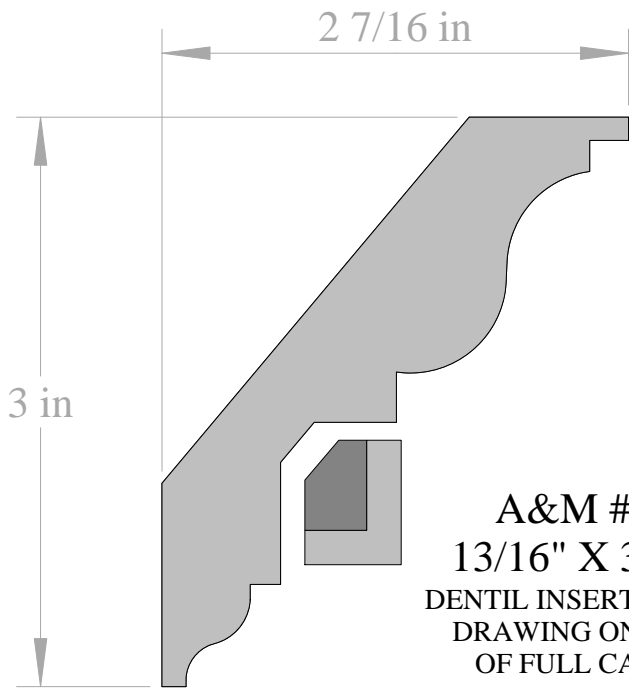
- All unshaded profiles available in poplar
- All shaded profiles available in poplar, cherry, maple, mahogany and red oak.

# Anderson & McQuaid Co, Inc. Stock Crown Mouldings

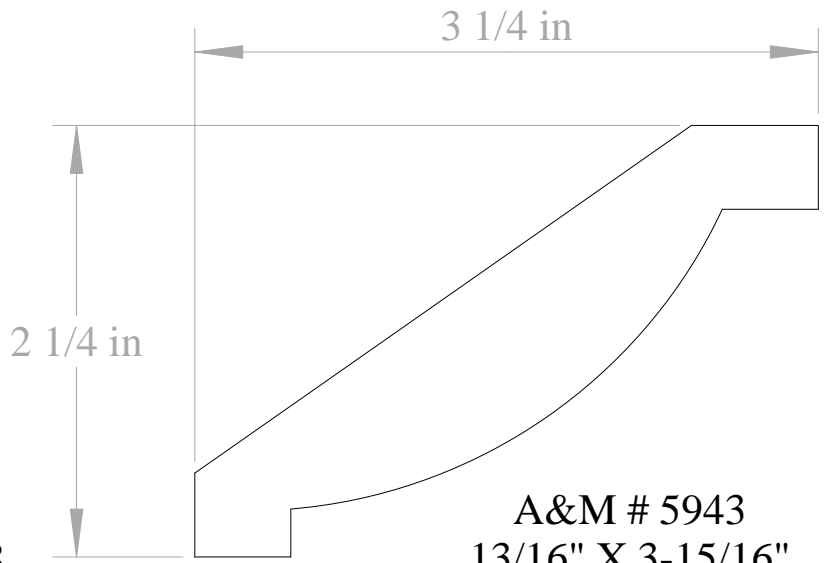


- All unshaded profiles available in poplar
- All shaded profiles available in poplar, cherry, maple, mahogany and red oak.

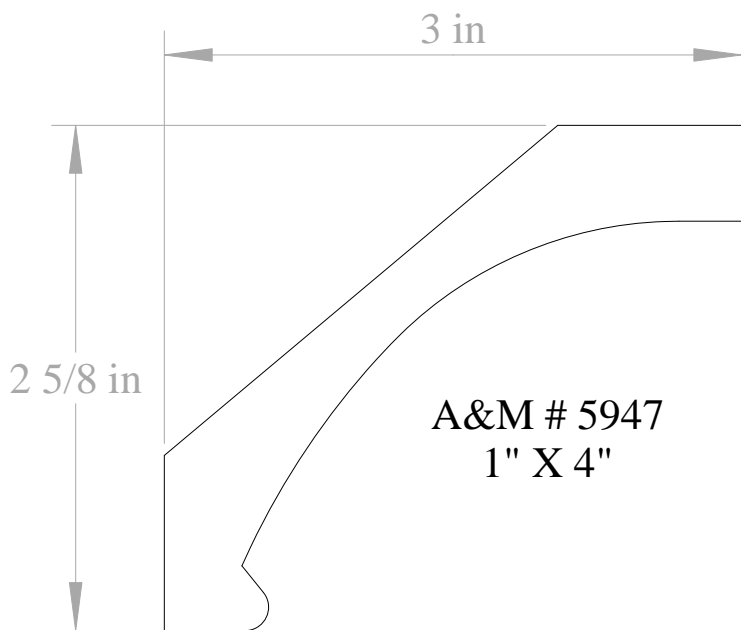
Anderson & McQuaid Co, Inc.  
 Stock Crown Mouldings



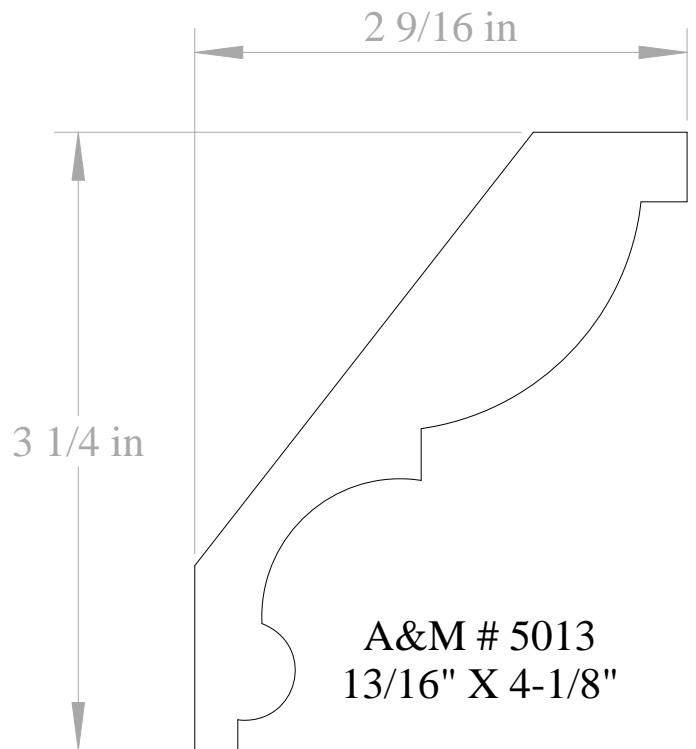
**A&M # 5118**  
**13/16" X 3-13/16"**  
 DENTIL INSERT SEPERATE  
 DRAWING ON PAGE 47  
 OF FULL CATALOG



**A&M # 5943**  
**13/16" X 3-15/16"**



**A&M # 5947**  
**1" X 4"**

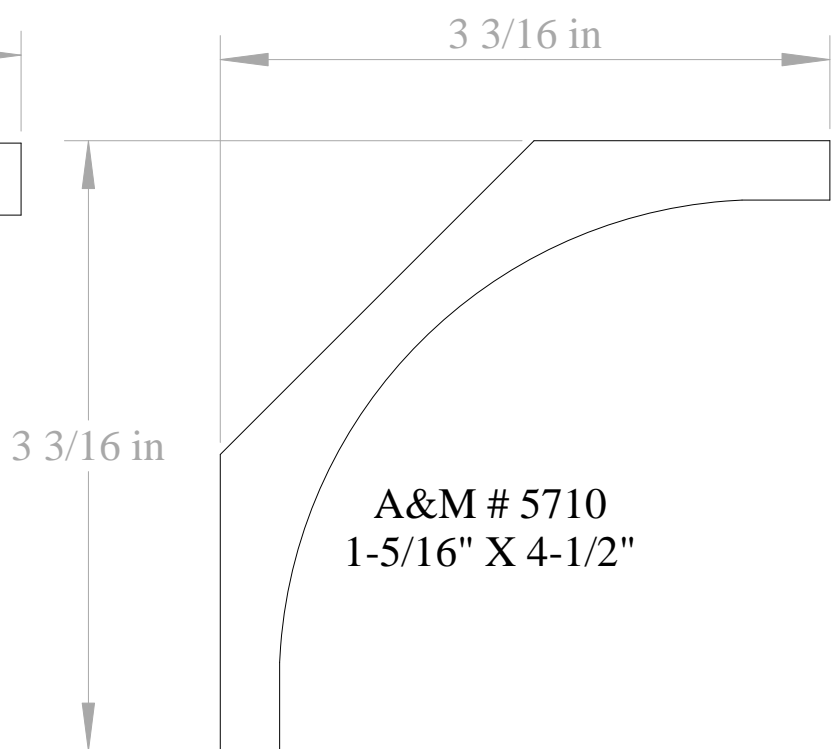
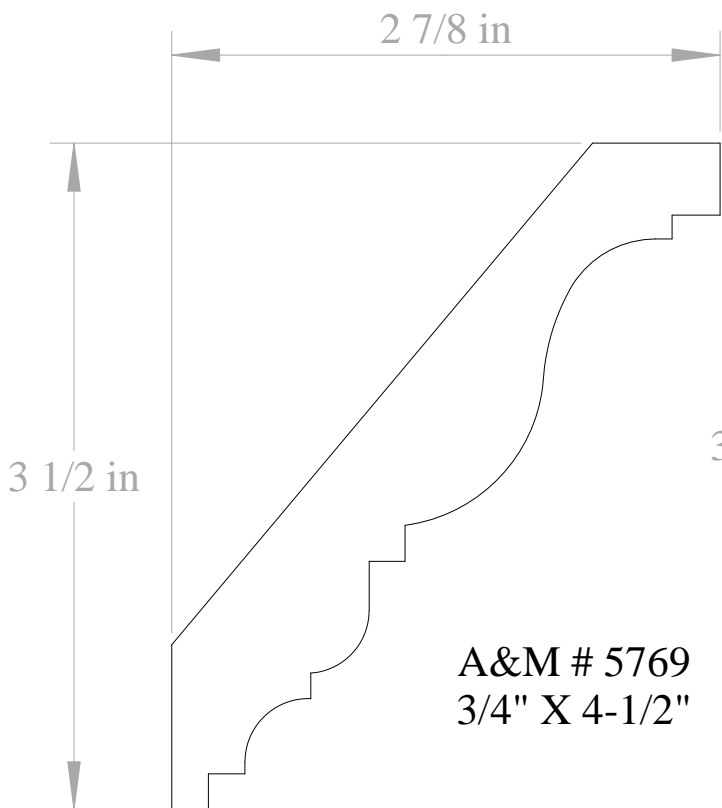
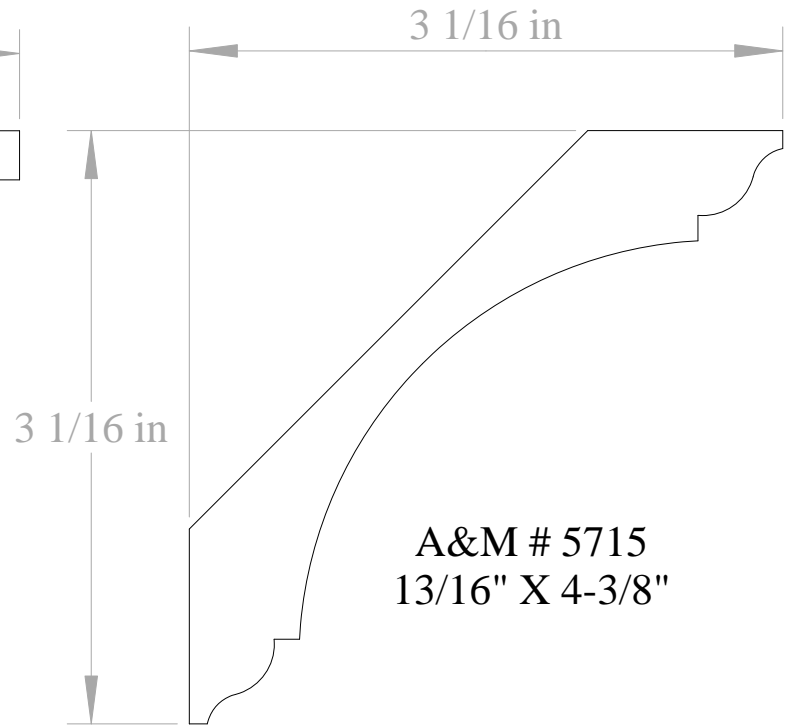
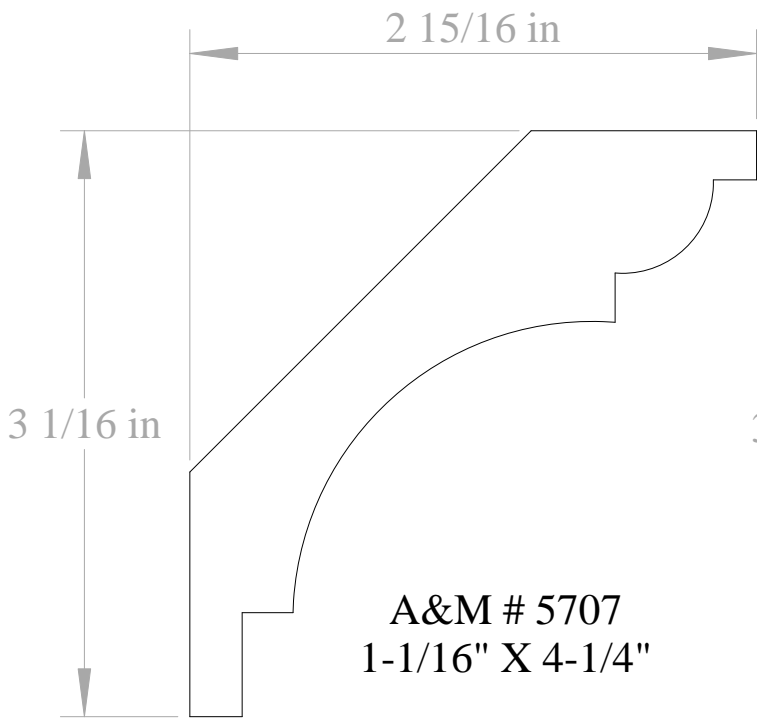


**A&M # 5013**  
**13/16" X 4-1/8"**

- All unshaded profiles available in poplar
- All shaded profiles available in poplar, cherry, maple, mahogany and red oak.

# Anderson & McQuaid Co, Inc.

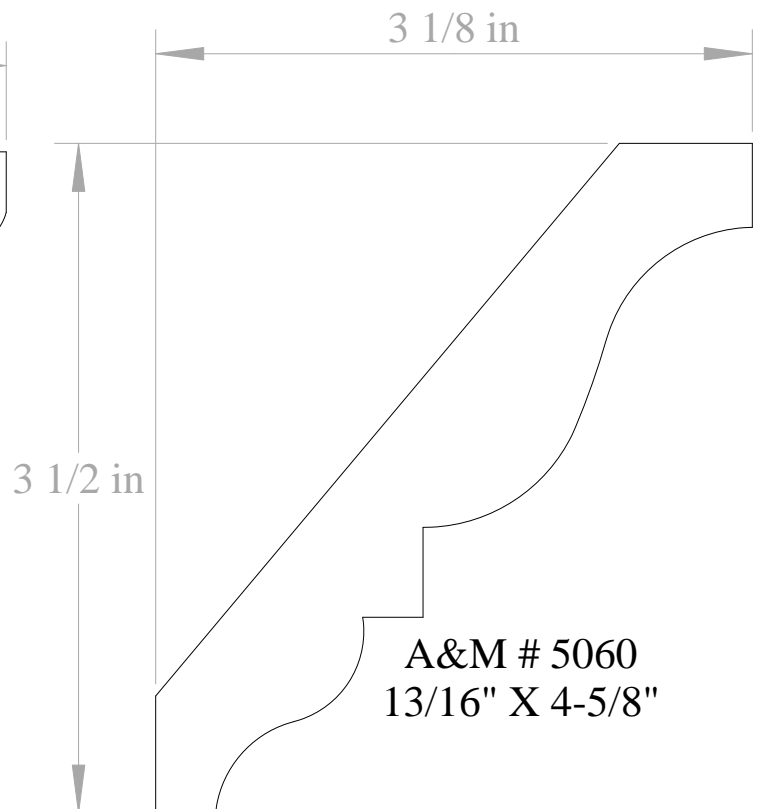
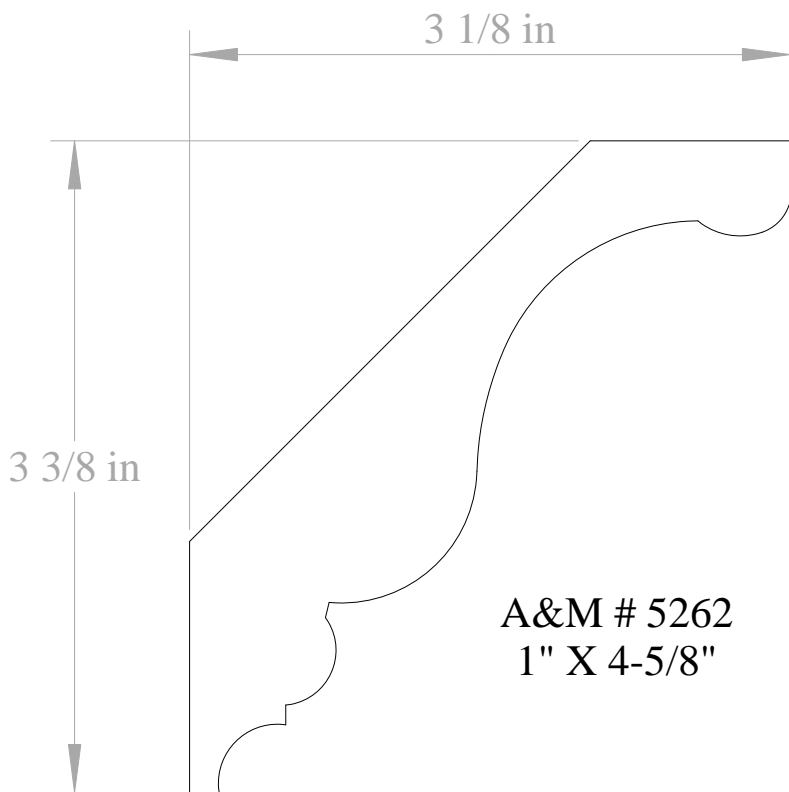
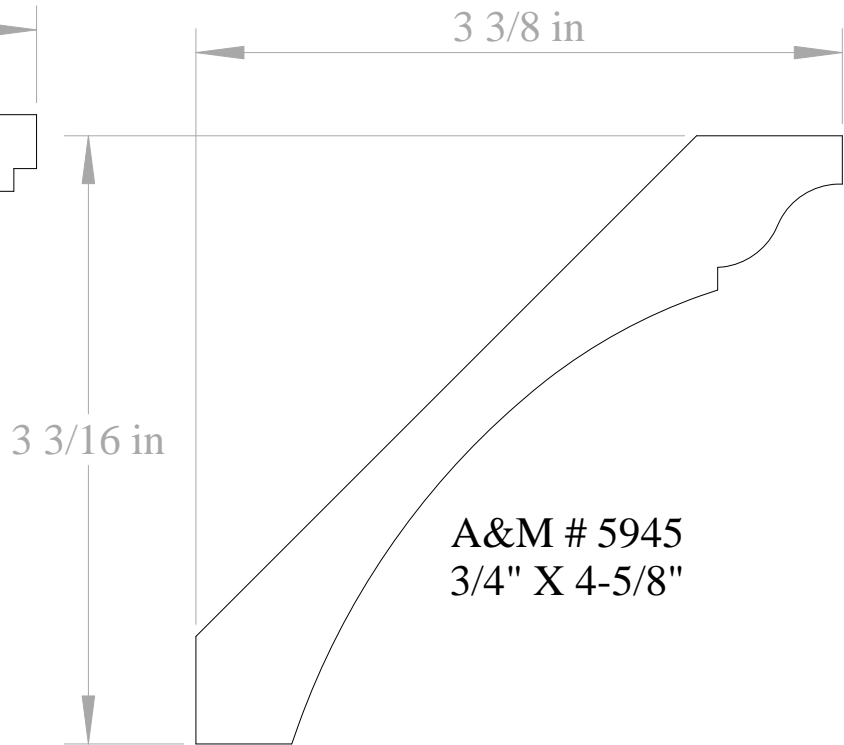
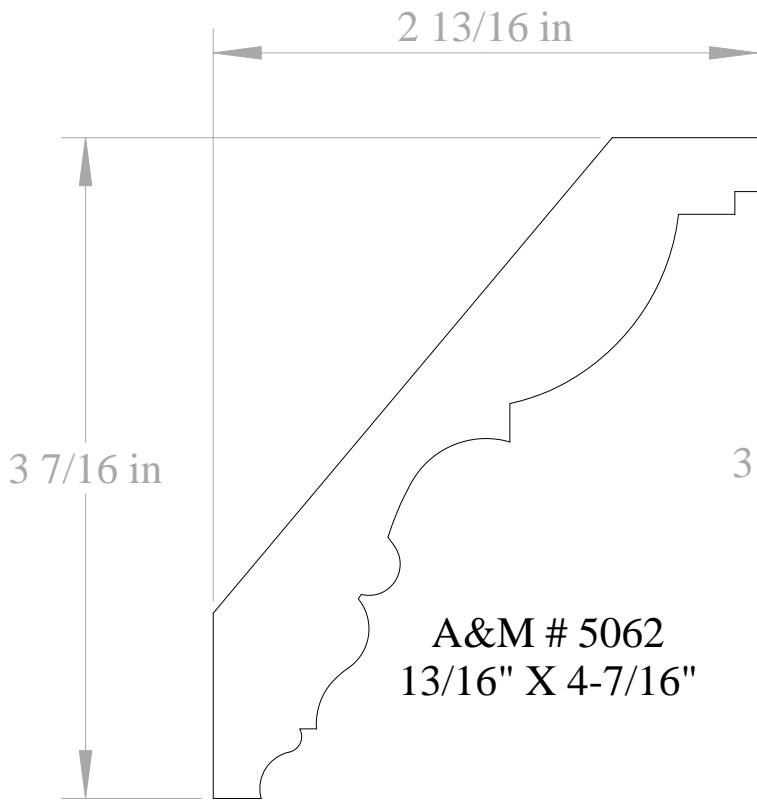
## Stock Crown Mouldings



- All unshaded profiles available in poplar
- All shaded profiles available in poplar, cherry, maple, mahogany and red oak.

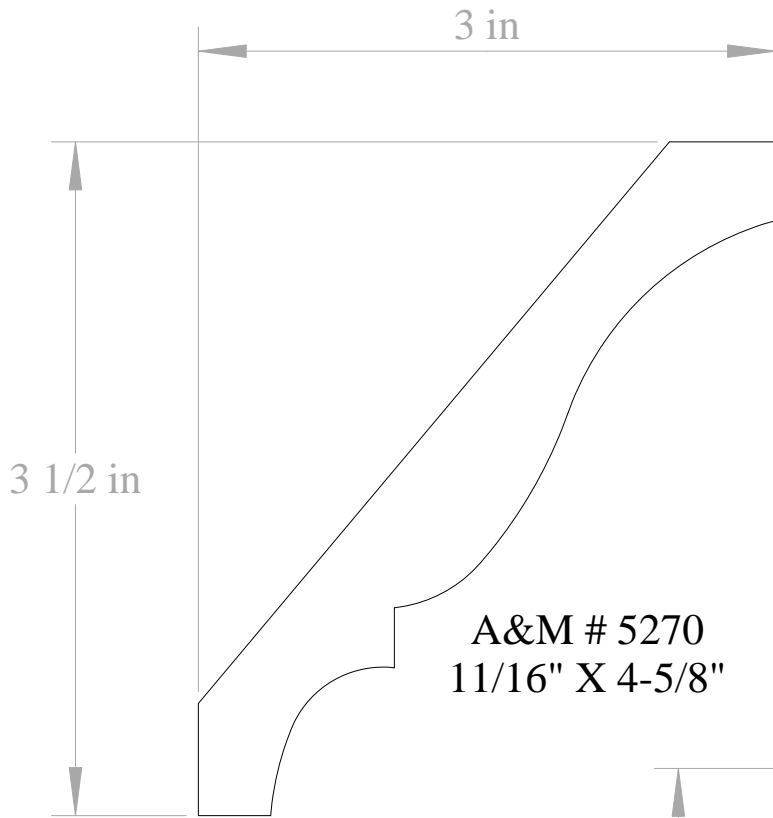
# Anderson & McQuaid Co, Inc.

## Stock Crown Mouldings

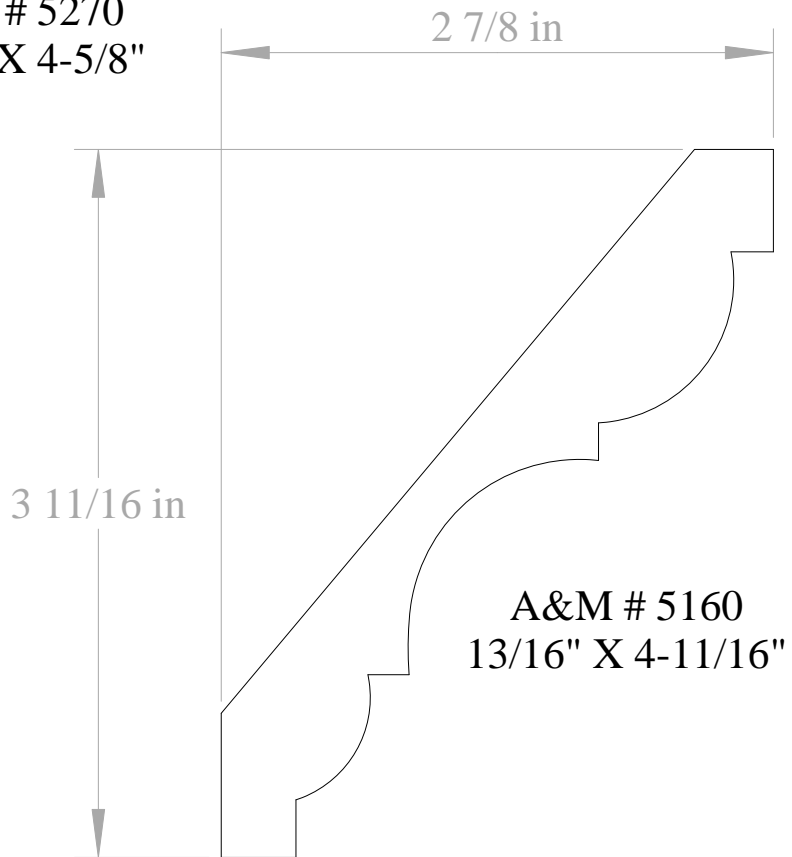


- All unshaded profiles available in poplar
- All shaded profiles available in poplar, cherry, maple, mahogany and red oak.

Anderson & McQuaid Co, Inc.  
Stock Crown Mouldings



**A&M # 5270**  
**11/16" X 4-5/8"**



**A&M # 5160**  
**13/16" X 4-11/16"**

- All unshaded profiles available in poplar
- All shaded profiles available in poplar, cherry, maple, mahogany and red oak.