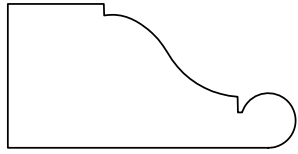
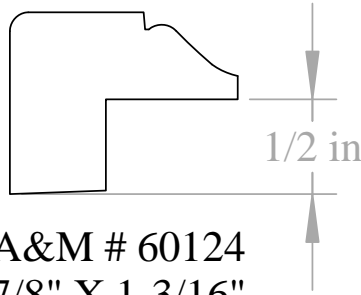


Anderson & McQuaid Co, Inc.

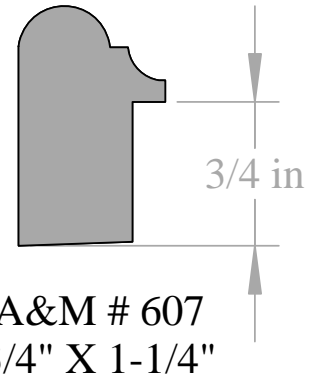
Stock Backbands and Window Stool



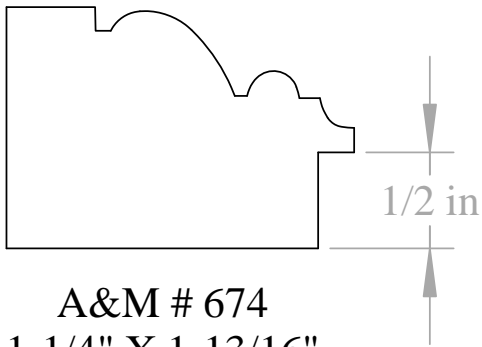
A&M # 695
3/4" X 1-1/2"



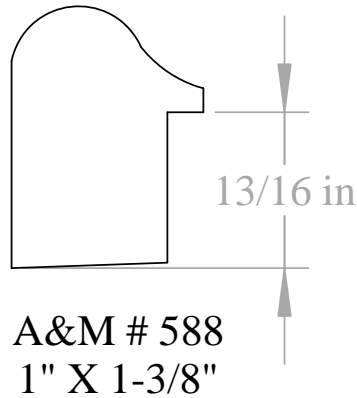
A&M # 60124
7/8" X 1-3/16"



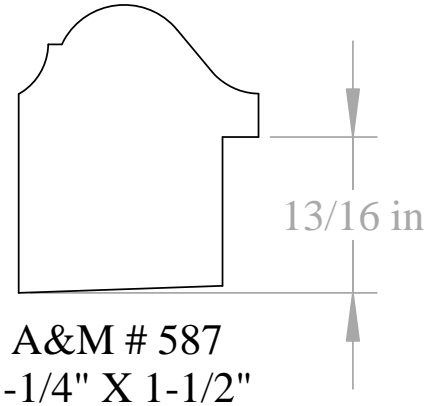
A&M # 607
3/4" X 1-1/4"



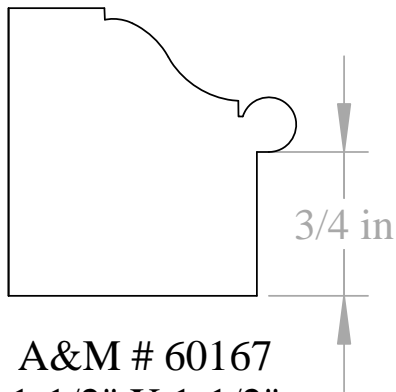
A&M # 674
1-1/4" X 1-13/16"



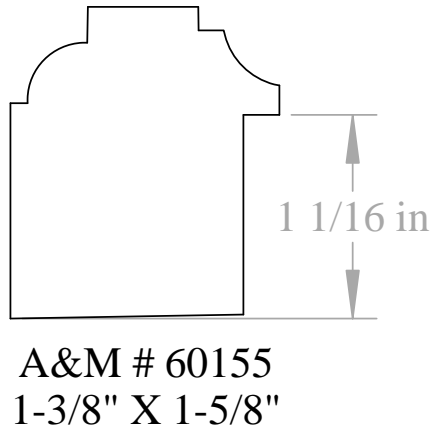
A&M # 588
1" X 1-3/8"



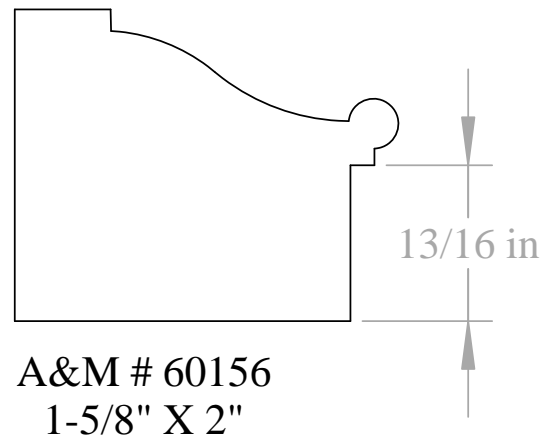
A&M # 587
1-1/4" X 1-1/2"



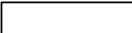
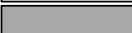
A&M # 60167
1-1/2" X 1-1/2"



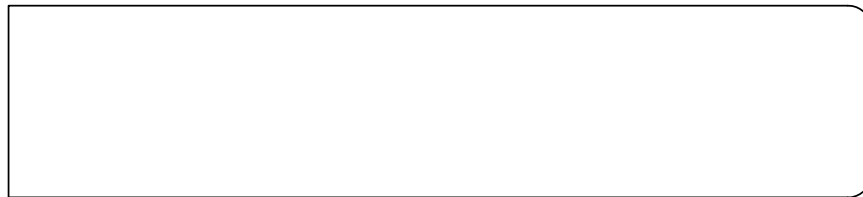
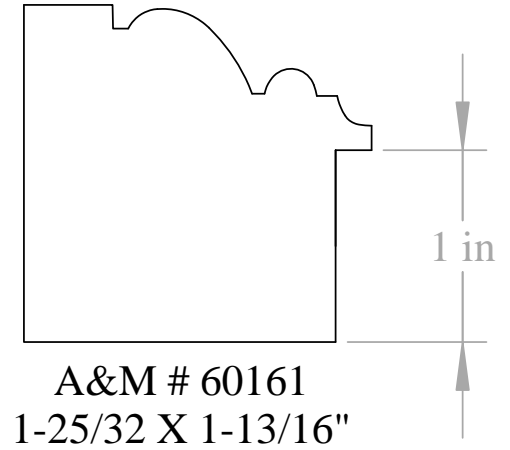
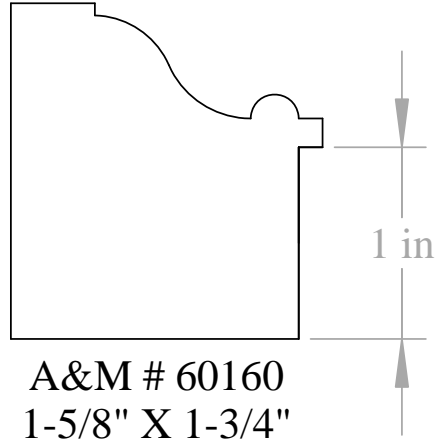
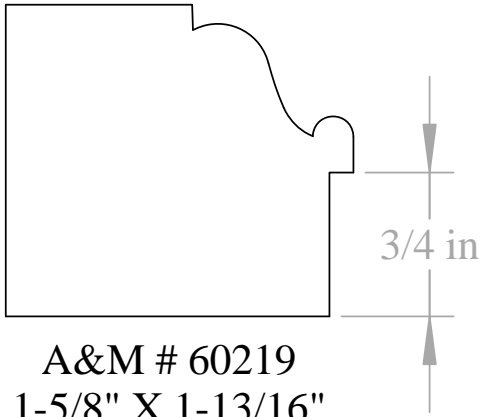
A&M # 60155
1-3/8" X 1-5/8"

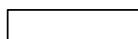


A&M # 60156
1-5/8" X 2"

 All unshaded profiles available in poplar
 All shaded profiles available in poplar, cherry, maple, mahogany and red oak.

Anderson & McQuaid Co, Inc.
Stock Backbands and Window Stool



 All unshaded profiles available in poplar
 All shaded profiles available in poplar, cherry, maple, mahogany and red oak.